

## 4V~65V输入，3A异步降压变换器

### 65V Input, 3A, Asynchronous Buck Converter

#### ■ FEATURES

- 3A converter with 250mΩ FET
- Input voltage range: 4V~65V
- Pulse Skipping Mode (PSM) to keep high efficiency in light load
- 105μA Quiescent Current
- Up to 2MHz Programmable Switching Frequency
- Peak current mode control
- Low Dropout Mode Operation
- Over-voltage , Over-current and Over-Temperature Protection
- Packages: Pb-free Packages, ESOP8
- 3A降压，内置250mΩ功率管
- 输入电压范围：4V~65V
- 脉冲跳跃模式使得轻载下高效率
- 105uA静态电流
- 最高2MHz可编程开关频率
- 峰值电流控制架构
- 欠压保护、过流保护和过热关断保护
- 无铅封装，ESOP8

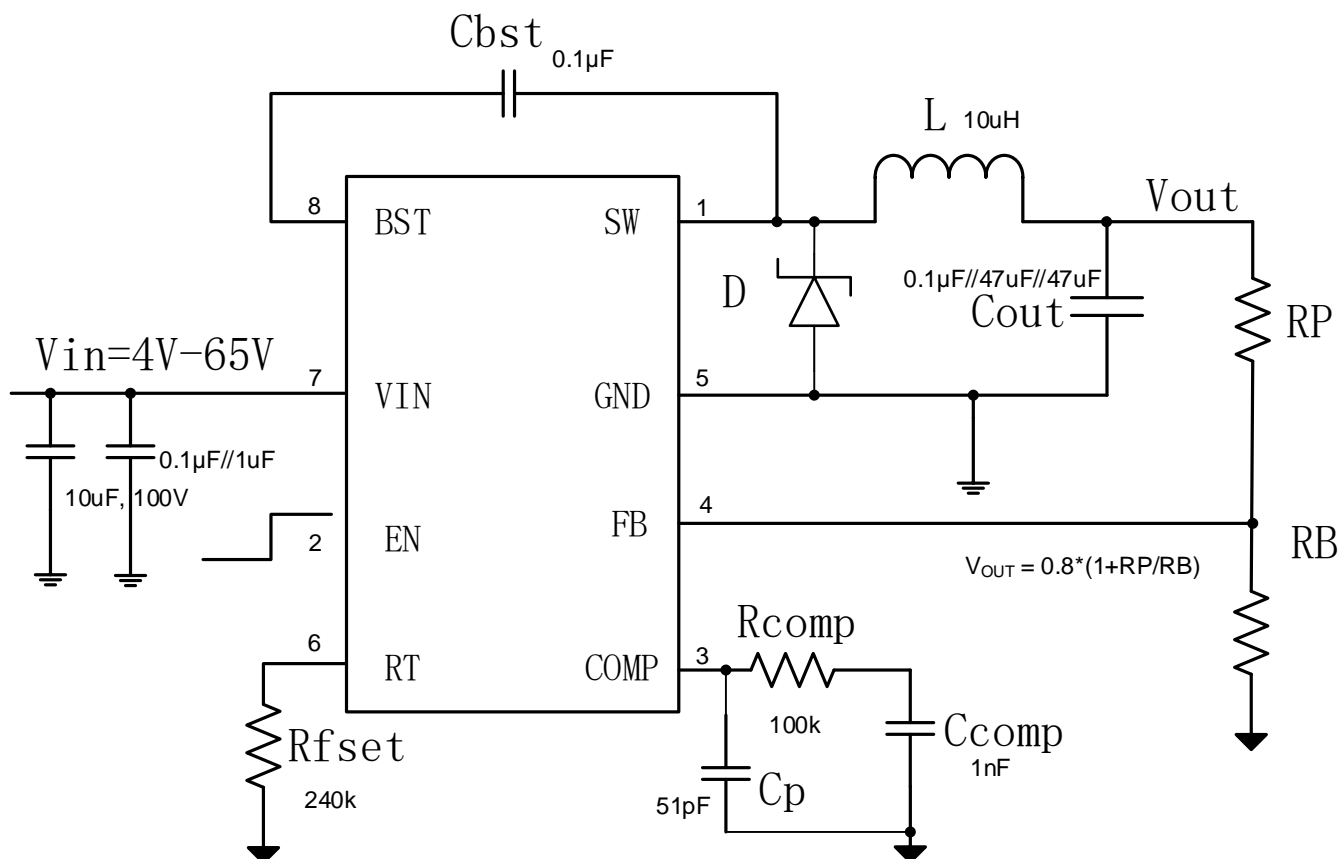
#### ■ APPLICATIONS

- 12V, 24V, 48V Industry and Telecom Power System
- Automotive Systems
- Distributed Power Systems
- High Voltage Power Conversion
- 12V, 24V, 48V工业和电信电源轨系统
- 汽车系统
- 分布式电源系统
- 高压电源转换

#### ■ DESCRIPTION

The HTN7862 is 3A buck converters with wide input voltage, ranging from 4V to 65V, which integrates an 260mΩ high-side MOSFET. The HTN7862, adopting the peak current mode control, supports the Pulse Skipping Modulation (PSM) which assists the converter on achieving high efficiency at light load. The HTN7862 features programmable switching frequency from 100kHz to 2MHz with an external resistor. The HTN7862 allows power conversion from high input voltage to low output voltage with a minimum 120ns on-time of switch MOS. The device offers typical 2.5ms soft start to prevent inrush current during the startup. The HTN7862 features external loop compensation to provide the flexibility to optimize either loop stability or loop response. The HTN7862 provides cycle-by-cycle current limit, thermal shutdown protection, output over-voltage protection, output over load protection and input voltage under-voltage protection. The device is available in an ESOP8 package.

HTN7862是3A降压转换器，具有从4V到65V的宽输入电压，集成了260mΩ高侧MOSFET。HTN7862采用峰值电流模式控制，支持跳周期调制（PSM），有助于转换器在轻负载下实现高效率。HTN7862具有100kHz至2MHz的可编程开关频率，外部电阻可调。HTN7862允许从高输入电压到低输出电压的功率转换，开关MOS的最小导通时间为120ns。该设备提供典型2.5ms的软启动，以防止启动过程中的涌入电流。HTN7862具有外部环路补偿功能，可灵活优化环路稳定性或环路响应。HTN7862提供逐周期电流限制、热关断保护、输出过压保护、输出过载保护和输入电压欠压保护。该设备采用ESOP8封装。

**TYPICAL APPLICATION**


1. BST电容 $C_{BST}$ 典型值 $0.1\mu\text{F}$ 陶瓷电容
2. VIN输入电容典型值 $0.1\mu\text{F}/1\mu\text{F}$ 陶瓷电容，输入有插拔时建议增加 $10\mu\text{F}$ 电解电容，并关注VIN端峰值电压不能超过 $65\text{V}$
3. EN为芯片使能端

EN	工作状态
悬空、或连接到VIN、或接高	正常工作
接地	关闭

4. RT端设置开关频率，通过 $R_{FSET}$ ， $R_{FSET} = 240\text{k}$ 时， $F_{SW} \approx 430\text{kHz}$
5. COMP端设置环路稳定性，一般可直接使用上图典型值，输出不稳定时可使用我司excel工具计算
6. FB端设置升值

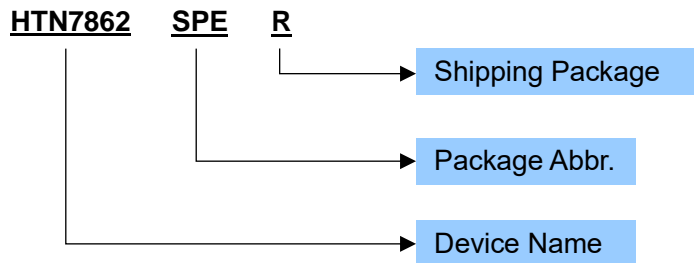
$$V_{OUT} = 0.8 \times \left(1 + \frac{R_P}{R_B}\right)$$

7. 频率设置为 $400\text{kHz}$ 时，电感推荐使用 $10\mu\text{H}$ ， $I_{SAT} > 1.4 \cdot I_{OUTmax}$
8. 二极管选型： $V_{RMS} > 1.2 \cdot V_{INmax}$ ， $I_F > I_{OUTmax}$ ，推荐使用SS56
9. 输出电容推荐使用 $0.1\mu\text{F}/47\mu\text{F}/47\mu\text{F}$ 陶瓷电容，建议其额定耐压大于 $2 \cdot V_{OUT}$

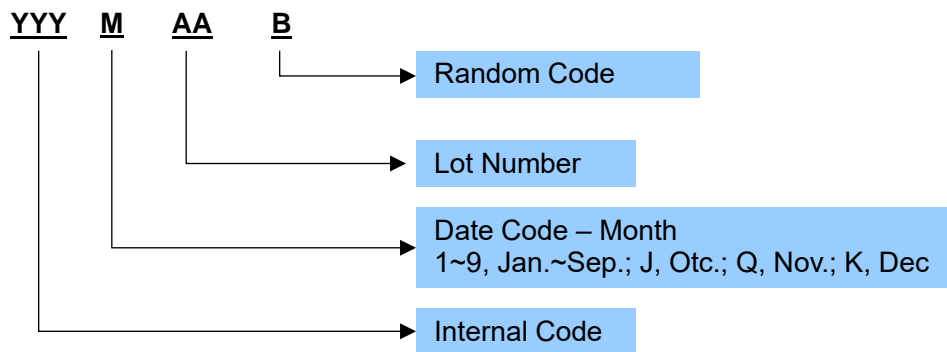
**ORDERING INFORMATION**

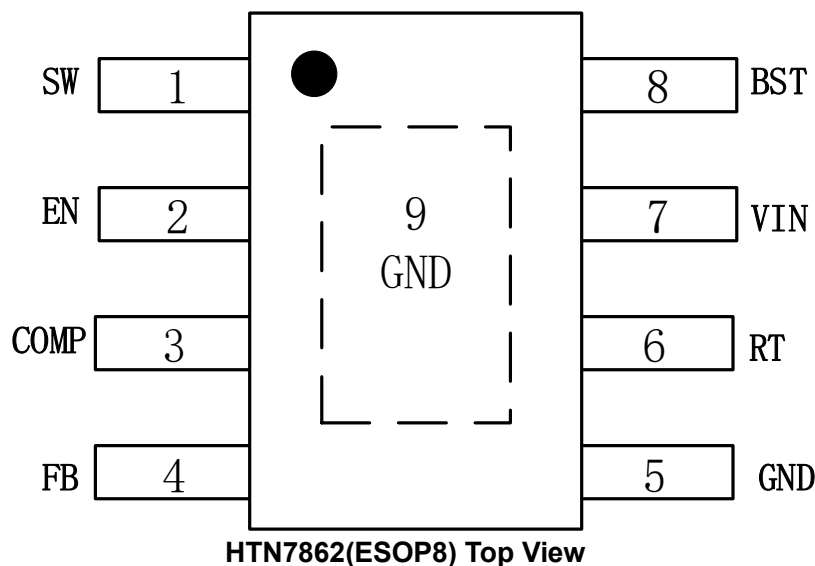
Part Number	Package Type	Package Abbr.	Marking	Shipping Package / MOQ
HTN7862SPER	ESOP8	SPE	HTN7862 YYYMAAB <sup>1</sup>	Tape and Reel (R) / 2500pcs

**Part Number**



**Production Tracking Code**



**■ TERMINAL CONFIGURATION**

**■ TERMINAL FUNCTION**

Terminal No.	Name	Description
1	SW	Switch node, connect SW to an external power inductor 开关端口，连接外部功率电感。
2	EN	Enable pin to the regulator with internal pull-up current source. Pull below 1.2V to disable the converter. Float or connect to VIN to enable the converter. The tap of resistor divider from VIN to GND connecting EN pin can adjust the input voltage lockout threshold. 稳压器使能引脚，带内部上拉电流源。将电压降至1.2V以下禁用转换器。悬空或连接到VIN可以启动转换器。从VIN到GND的电阻分压抽头连接EN引脚的可以调节输入电压锁定阈值。
3	COMP	Error amplifier output. Connect to frequency loop compensation network. 误差放大器输出。连接到频率环路补偿网络。
4	FB	Feedback. Connect resistor divider to output voltage. 反馈。接分压电阻到输出电压。
5	GND	Ground. GND should be placed as close to the output capacitor as possible to avoid the high-current switch paths. 地。GND应尽可能靠近输出电容，以避免高电流开关路径。
6	RT	Set the internal oscillator clock frequency. Connect a resistor from this pin to ground to set switching frequency. 设置内部振荡器时钟频率。将一个电阻从该引脚连接到地，以设置开关频率。
7	VIN	Input supply. VIN supplies power to all of the internal control circuitries. A decoupling capacitor to ground must be placed close to VIN to minimize switching spikes. 输入电源。VIN为所有内部控制电路供电。接地滤波电容必须放置在VIN附近，以减少开关尖峰。
8	BST	Bootstrap. Power supply for the high-side MOSFET driver. Connect a bypass capacitor between BST and SW. BST是内部高端MOSFET驱动器的正电源。在BST和SW之间连接一个旁路电容器。
9	GND	Heat dissipation path of die. Electrically connection to GND pin. 芯片散热路径。与GND引脚电气相连。

**IMPORTANT NOTICE****注意**

Heroic Electronic Technology (Jiaxing) Co., Ltd (HT) reserves the right to make corrections, modifications, enhancements, improvements, and other changes to its products and services at any time and to discontinue any products or services. Customers should obtain the latest relevant information before placing orders and should verify that such information is current and complete.

禾润电子科技（嘉兴）股份有限公司（以下简称HT）保留对产品、服务、文档的任何修改、更正、提高、改善和其他改变，或停止提供任何产品和服务的权利。客户在下单和生产前应确保所得到的信息是最新、最完整的。

HT assumes no liability for applications assistance or customer product design. Customers are responsible for their products and applications using HT components.

HT对相关应用的说明和协助以及客户产品的板级设计不承担任何责任。

HT products are not authorized for use in safety-critical applications (such as life support devices or systems) where a failure of the HT product would reasonably be expected to affect the safety or effectiveness of that devices or systems.

HT的产品并未授权用于诸如生命维持设备等安全性极高的应用中。

The information included herein is believed to be accurate and reliable. However, HT assumes no responsibility for its use; nor for any infringement of patents or other rights of third parties which may result from its use.

本文中的相关信息是精确和可靠的，但HT并不对其负责，也不对任何可能的专利和第三方权利的侵害负责。

Following are URLs and contacts where you can obtain information or supports on any HT products and application solutions:

下面是可以联系到我公司的相关链接和联系方式：

**禾润电子科技（嘉兴）股份有限公司****Heroic Electronic Technology (Jiaxing) Co., Ltd.**

地址：浙江省嘉兴市南湖区亚太路906号科创CBD园区21号楼11层

Add: 11th floor, Building 21, No. 906, Yatai Road, Jiaxing, Zhejiang Province

Sales: 0573-82586608, sales@heroic.com.cn

Support: 0573-82586151, support@heroic.com.cn

Fax: 0573-82585078

Website: www.heroic.com.cn; wap.heroic.com.cn

Wechat MP: HEROIC\_JX

请及时关注禾润官方微信公众号，随时获取最新产品信息和技术资料！

