

内置高效率自适应电荷泵升压，防削顶失真功能，D/AB切换的 5.2W单声道音频功率放大器

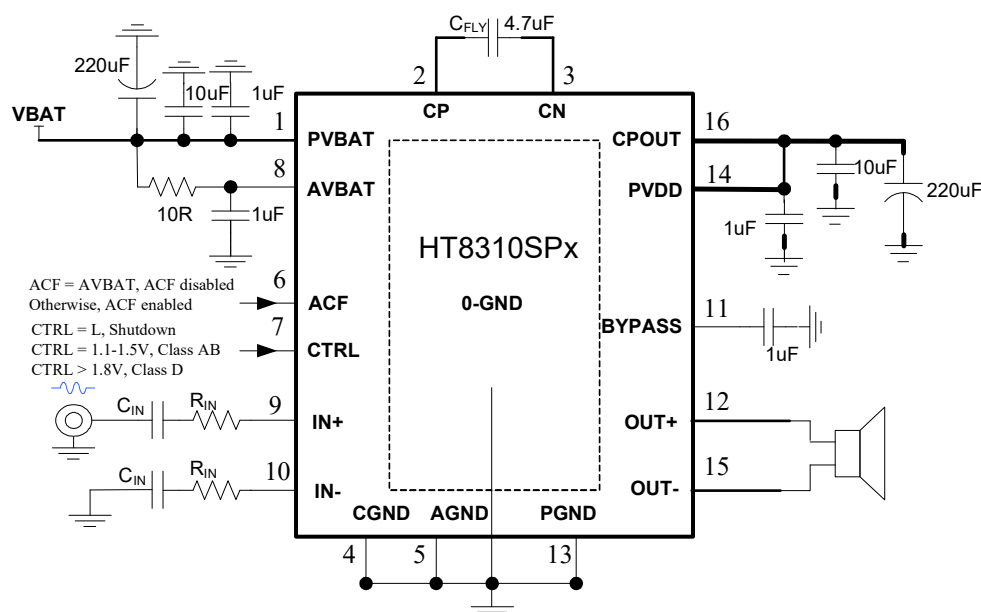
■ 特点

- 4种防削顶失真功能(Anti-Clipping Function, ACF)
- 自适应电荷泵升压功能
- 内部固定28dB增益
- 输出功率
 - 5.2W ($V_{BAT}=4.2V, R_L=4\Omega, THD+N=10\%$)
 - 4.0W ($V_{BAT}=3.7V, R_L=4\Omega, THD+N=10\%$)
 - 3.0W ($V_{BAT}=3.3V, R_L=4\Omega, THD+N=10\%$)
- 效率
 - 84% ($V_{BAT}=3.7V, R_L=4\Omega, 0.4W$)
 - 75% ($V_{BAT}=3.7V, R_L=4\Omega, 2W$)
- 电源
 - 升压输入 V_{BAT} : 2.7V至5.5V
 - 升压输出 $CPOUT$: 6.4V
- 静态工作电流: 3mA
- 关断电流: <1uA
- AB/D类可切换
- 免滤波器数字调制, 直接驱动扬声器
- 保护功能: 过流/过热/欠压异常保护功能
- 无铅封装, SOP16L-PP, QFN16L-PP

■ 应用

- 智能音响
- 无线音响
- 便携式音频设备
- 智能手机

■ 典型应用图



■ 概述

HT8310 是一款 D 类音频功率放大器，在 $V_{BAT}=4.2V$ 、 $THD+N=10\%$ ， 4Ω 负载条件下能连续输出 5.2W 功率。该 D 类功放的电源电压由内置的自适应电荷泵升压模块提供。该升压模块在低功率时不升压，可有效提升电池的播放时间。

HT8310 的最大特点是防削顶失真 (ACF) 输出控制功能，可检测并抑制由于输入音乐、语音信号幅度过大所引起的输出信号削顶失真 (破音)，也能自适应地防止在升压电压下降所造成的输出削顶，显著提高音质，创造非常舒适的听音享受，并保护扬声器免受过载损坏。其具有 4 种不同的 ACF 模式，可针对不同应用场合。同时芯片还具有 ACF-Off 模式。

HT8310 具有 AB 类和 D 类的自由切换功能，在受到 D 类功放 EMI 干扰困扰时，可随时切换至 AB 类音频功放模式 (此时电荷泵升压功能关闭)。

HT8310 内部集成免滤波器数字调制技术，能够直接驱动扬声器，并最大程度减小脉冲输出信号的失真和噪音。输出无需滤波网络，极少的外部元器件节省了系统空间和成本，是便携式应用的理想选择。

此外，HT8310 内部固定 28dB 增益，内置的关断功能使待机电流最小化，还集成了输出端过流保护、片内过温保护和电源欠压异常保护等功能。

5.2W Anti-Clipping Mono Class D/AB Audio Amplifier with Adaptive Charge Pump Regulator

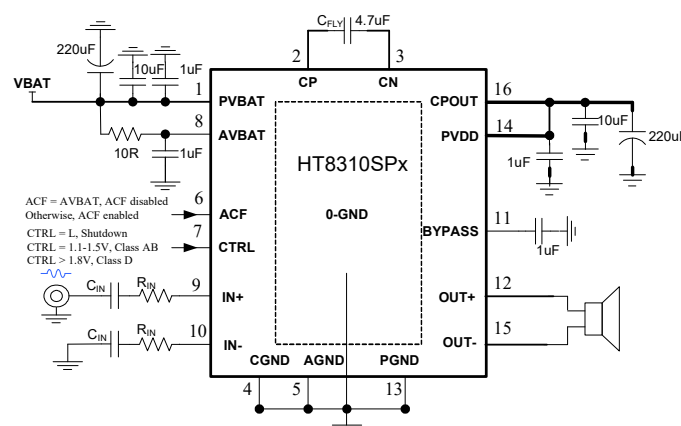
FEATURE

- 4 modes of Anti-Clipping Function (ACF)
- Adaptive Charge Pump Regulator
- Maximum Voltage Gain: 28dB
- Output Power
 - 5.2W ($V_{BAT}=4.2V$, $R_L=4\Omega$, THD+N=10%)
 - 4.0W ($V_{BAT}=3.7V$, $R_L=4\Omega$, THD+N=10%)
 - 3.0W ($V_{BAT}=3.3V$, $R_L=4\Omega$, THD+N=10%)
- Efficiency
 - 84% ($V_{BAT} = 3.7V$, $R_L = 4 \Omega$, $P_o = 0.4W$)
 - 75% ($V_{BAT} = 3.7V$, $R_L = 4 \Omega$, $P_o = 2.0W$)
- Power Supply
 - Input V_{BAT} : 2.7V to 5.5V
 - Output CPOUT: 6.4V
- Quiescent Current: 3mA
- Shutdown Current: <1uA
- Class AB / Class D selectable
- Filter-less Modulation, Eliminating Output Filter
- Over Current Protection, Thermal Protection, Low voltage malfunction prevention function included
- Pb-Free Packages , SOP16L-PP, QFN16L-PP

APPLICATIONS

- Smart Speakers • Wireless Speakers
- Portable Audio Devices • Smart Phones

TYPICAL APPLICATION



GENERAL DESCRIPTION

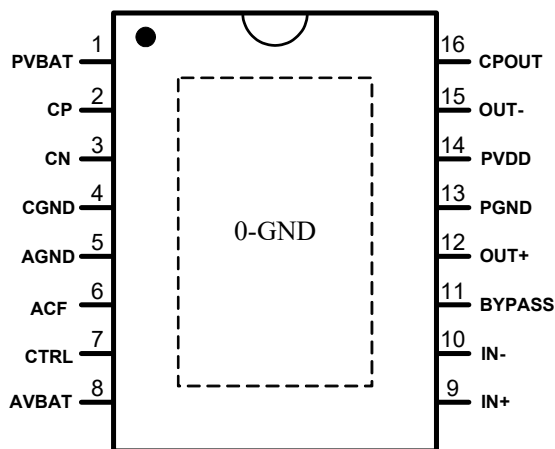
HT8310 is a Class D audio amplifier which can deliver continuous 5.2W output power into a 4Ω speaker with 4.2V battery supply when THD+N = 10%. The class D audio amplifier's power supply is adaptively boosted by the integrated charge pump regulator which only works while the output power is big enough. This will significantly extend the playing time in battery supply applications. HT8310 features Anti-Clipping Function (ACF) which detects output signal clip due to the over input signal and suppresses the output signal clip automatically. Also, it can adapt the output clip caused by power supply voltage down. It can significantly improve the sound quality, creating a very comfortable musical enjoyment, and to protect the speakers from overload damage. It provides 4 different ACF modes and ACF OFF mode to adjust different applications.

Class AB amplifier mode is also available for HT8310. Once the EMI Interference from class D and Boost Converter becomes an annoying problem, HT8310 can be changed into Class AB mode.

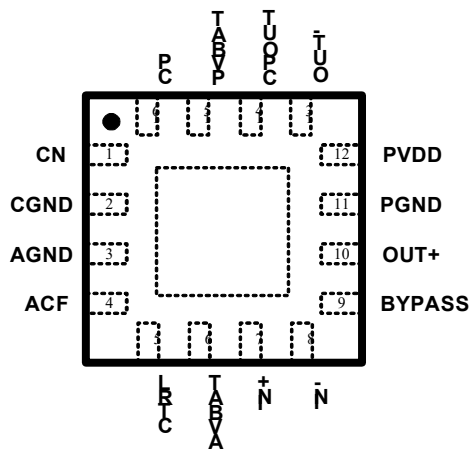
HT8310 has a filter-less modulation circuit which directly drives speakers while realizes low distortion and low noise characteristics. Thanks to filter-less, circuit design with fewer external parts can be made in portable applications.

HT8310 has an internal gain of 28dB and an independent Shutdown function which can minimize the power consumption. As for protection function, over current protection function for speaker output terminals, over temperature protection function, and low supply voltage malfunction preventing function are also prepared.

■ TERMINAL CONFIGURATION



HT8310SPx (SOP16L-PP) Top View



HT8310SQx(QFN16L-PP) Top View

■ TERMINAL FUNCTION ¹

SOP Terminal No.	QFN Terminal No.	Name	I/O	ESD Protection	Description
0	/	GND	GND	--	Ground
1	15	PVBAT	POWER	PN	Power supply for the charge pump regulator
2	16	CP	I	PN	Flying capacitor positive terminal
3	1	CN	I	PN	Flying capacitor negative terminal
4	2	CGND	GND	--	Ground for the charge pump regulator
5	3	AGND	GND	--	Analog ground
6	4	ACF	I	PN	ACF selection terminal. ACF is disabled when it is pulled to VBAT directly.
7	5	CTRL	I	PN	Mode selection terminal. When it is pulled low, the device goes into shutdown mode.
8	6	AVBAT	POWER	PN	Analog power supply
9	7	IN+	I	PN	Positive audio input terminal
10	8	IN-	I	PN	Negative audio input terminal
11	9	BYPASS	O	PN	Analog reference terminal, connecting a 1uF capacitor to ground
12	10	OUT+	O	PN	Positive BTL audio output
13	11	PGND	GND	--	Power ground for audio amplifier
14	12	PVDD	POWER	PN	Power supply for audio amplifier
15	13	OUT-	O	PN	Negative BTL audio output
16	14	CPOUT	POWER	PN	Boosted voltage output of the charge pump regulator

■ ORDERING INFORMATION

Part Number	Package Type	Marking	Operating Temperature Range	Container/MOQ
HT8310SPT	SOP16L-PP	HT8310 ^{SP}	-40°C ~ 85°C	Tube/50PCS
HT8310SPR	SOP16L-PP	HT8310 ^{SP}	-40°C ~ 85°C	Tape and Reel/2500PCS
HT8310SQR	QFN16L-PP	HT8310 ^{SQ}	-40°C ~ 85°C	Tape and Reel/5000PCS

¹ I: Input; O: Output

IMPORTANT NOTICE

注意

Jiaxing Heroic Electronic Technology Co., Ltd (HT) reserves the right to make corrections, modifications, enhancements, improvements, and other changes to its products and services at any time and to discontinue any products or services without notice. Customers should obtain the latest relevant information before placing orders and should verify that such information is current and complete.

嘉兴禾润电子科技有限公司（以下简称HT）保留对产品、服务、文档的任何修改、更正、提高、改善和其他改变，或停止提供任何产品和服务，并不提供任何通知的权利。客户在下单和生产前应确保所得到的信息是最新、最完整的。

HT assumes no liability for applications assistance or customer product design. Customers are responsible for their products and applications using HT components.

HT对相关应用的说明和协助以及客户产品的板级设计不承担任何责任。

HT products are not authorized for use in safety-critical applications (such as life support devices or systems) where a failure of the HT product would reasonably be expected to affect the safety or effectiveness of that devices or systems.

HT的产品并未授权用于诸如生命维持设备等安全性极高的应用中。

The information included herein is believed to be accurate and reliable. However, HT assumes no responsibility for its use; nor for any infringement of patents or other rights of third parties which may result from its use.

本文中的相关信息是精确和可靠的，但HT并不对其负责，也不对任何可能的专利和第三方权利的伤害负责。

Following are URLs and contacts where you can obtain information or supports on any HT products and application solutions:

下面是可以联系到我公司的相关链接和联系方式：

嘉兴禾润电子科技有限公司

Jiaxing Heroic Electronic Technology Co., Ltd.

地址：浙江省嘉兴市凌公塘路3339号JRC大厦A座三层

Add: A 3rd floor, JRC Building, No. 3339, LingGongTang Road, Jiaxing, Zhejiang Province

Sales: 0573-82585539, sales@heroic.com.cn

Support: 0573-82586151, support@heroic.com.cn

Fax: 0573-82585078

Website: www.heroic.com.cn; wap.heroic.com.cn

Wechat MP: HEROIC_JX

请及时关注禾润官方微信公众号，随时获取最新产品信息和技术资料！

